



 **FLUIDOTEHNIC**

# DEVICES AND SYSTEMS FOR CENTRAL LUBRICATION

---

CATALOG OF DEVICES

 [www.fluidotehnic.com](http://www.fluidotehnic.com)



# LUBRICATION TECHNIQUE

## CATALOG OF DEVICES

ABOUT COMPANY	4-5
PUMPS FOR OIL LUBRICATION	6-7
FILTERS (FOR OIL LUBRICATION)	8-9
FLOW INDICATORS	10-11
ELECTRIC MOTOR MULTILINE PUMPS	12-19
ELECTRIC MOTOR PUMPS	20-22
ELECTRIC MOTOR PUMP FOR CENTRAL SUPPLEMENT	23
ELECTRIC MOTOR PUMP FOR GREASE TRANSFER	24-25
PNEUMATIC PUMP FOR LUBRICATION	26
PNEUMATIC PUMP FOR OIL DRAFT	27
DUAL LINE HAND PUMP	28
HAND PUMP (FOR LUBRICANT TRANSFER)	29
FOOT PUMP (FOR GREASE LUBRICATION)	30
POWER UNIT FOR MULTILINE LUBRICATION	31-33
UNIT FOR DUAL LINE LUBRICATION	34-37
ELECTRIC COMPACT UNIT (FOR SINGLE GREASE LUBRICATION)	38
PNEUMATIC PUMP FOR SINGLE LUBRICATION	39
PNEUMATIC UNIT FOR SINGLE LUBRICATION ON CART	40
ELECTRIC CONTROL UNIT	41
DOSING DISTRIBUTORS	42-45
CHANGE-OVER VALVES	46-52
CONTROL DEVICES	53-55
PRESSURE RELIEF VALVE	56
PRESSURE LINE FILTER (FOR GREASE LUBRICATION SYSTEMS)	57
GUN FOR LUBRICATION	58





- FLUIDOTEHNIC's production program is based on its own development. Thanks to that, all the products are the result of the engineering staff work, as well as the quality and skilled workers in manufacturing and installation. Each serial product during the conquest passes through the phase of prototype development, functional tests and check in real operating conditions. Following step is removal of all possible defects and then, based on that, test series is produced. This is how we achieve high quality of manufactured devices. In case of the individual production, after the functional testing, we deliver the product to the customer.
- Since its foundation FLUIDOTEHNIC Ltd. has been continuously investing both in the expansion of commercial building and the purchase of modern equipment for the production, control and techno-economic support. It is located in the industrial zone of Vrnjacka Banja, on a lot size ~ 2ha. It consists several buildings, connected into a functional whole area of 4000 m<sup>2</sup>. The whole complex is adjusted to the environment- we are taking good care of health, work safety and environmental protection.





- Market research, device development, technical assistance and personnel training free of charge for all our customers is the main task of this service. Many years of experience in the development tasks of hydraulics, pneumatics and lubrication techniques, as well as the latest computer technology guarantee that our customers will get the optimum technical solution. During the development, every device passes precisely defined procedure, starting from making the design concept, followed by manufacturing and testing prototypes and going into production.
- It consists of several facilities and departments: foundry of non-ferrous metals, mechanical drive, locksmith department, installation and technical control. All operations from the casting to the final machining are performed with the universal and software machines. Control and assembly is 100%. When the assembly is finished, each device is being tested on the test stand and on the basis of the results it gets the appropriate certificates and guarantees. On each call of the user, service teams come in as soon as possible, with spare parts and the necessary tools, regardless of whether the equipment is in warranty or out of warranty period.



# ELECTRIC MOTOR PUMP

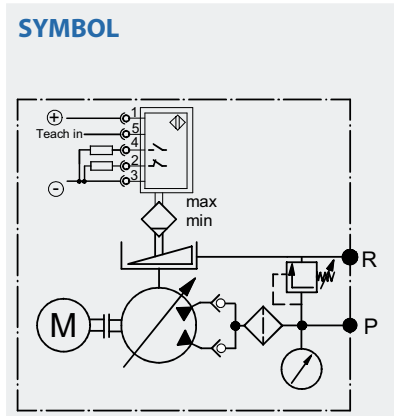
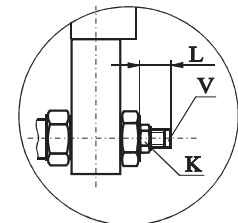
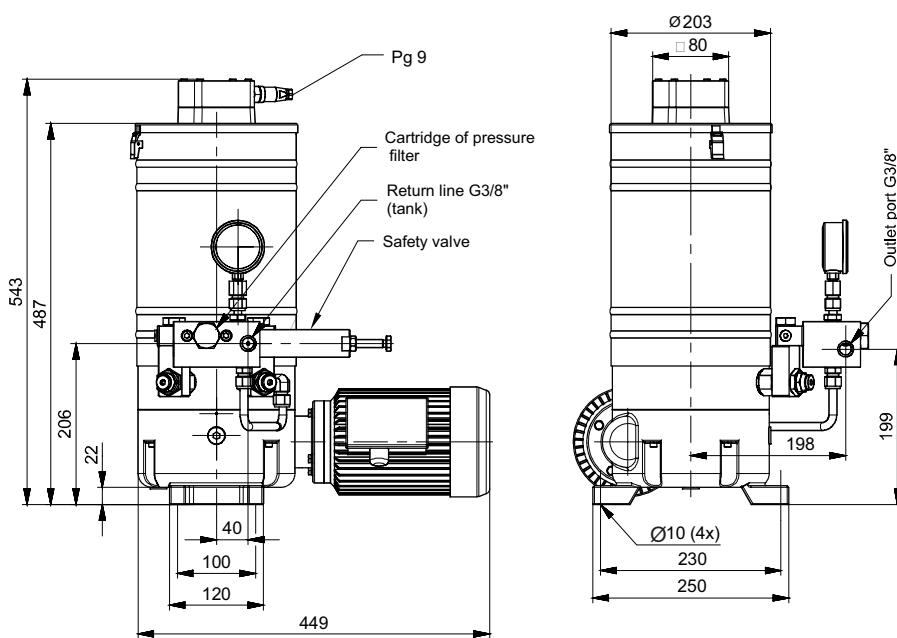


Electric driven pump for grease and oil lubrication usually is applied for smaller centralized two-lines systems. It is suitable for operation in very hard working conditions (excavators for surface mines, iron plants, cement works e.t.c.) This pump has two pump elements with variable flow and possibility of independent regulation minimum to maximum value. It is possible to cut out outlet ports, if it is necessary. The pump is factory adjusted to the maximum flow so the dimension "L" is 16mm. By loosening nut "K" and turning the adjusting screw "V" for 360 clock wise ("L" is reduced for 1mm), the flow rate decreases to 0,11 cm<sup>3</sup> per piston stroke.

Minimum flow rate corresponds the "L" value of 12 mm. The flow is reduced to zero if the dimension "L" is 9 mm. After adjusting, lock the safety nut "K" again. Pump with lubricant level indication have "AU" in code. Ultrasonic level indicator indicate 3 lubricant level in the tank, depending on customer requirements. For lubrication of gear unit of the pump use oil SAE 80. The oil level must be equal to down edge of filling port "A".

Ordering example for the pump with ultrasonic indicator of lubricant level for flow 18 cm<sup>3</sup>/min is:

**10-2570 -AU**



Code	Flow (adjustable) cm <sup>3</sup> /min	Max. pressure bar	Fluid			Gear box ratio	Electric motor			Ultrasonic level indicator AU	Tank volume dm <sup>3</sup>	Mass kg
			Grease NLGI	Oil visc. mm <sup>2</sup> /s	Temp. °C		Power kW	Rated speed rpm	Voltage V			
10 - 2570L	10-27	300	≤3	>13	-25 ; +80	70:1	0,37	1460	3x400 V 50Hz	10 to 30V 200 mA 2xPNP NO / NC	10	~33
10 - 2570	7-18						0,25	980				
10 - 2570S	4-11											

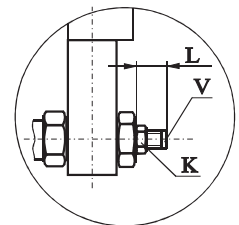
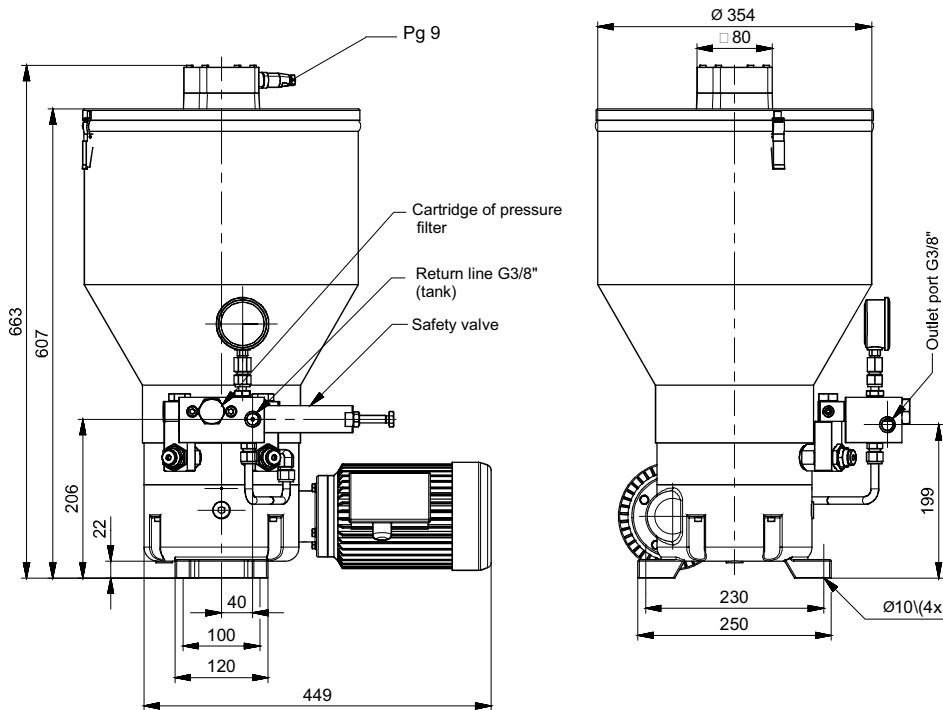
# ELECTRIC MOTOR PUMP



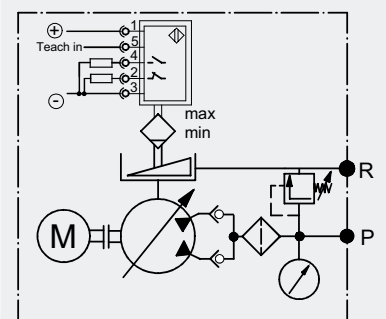
Electric driven pump for grease and oil lubrication usually is applied for smaller centralized two-lines systems. It is suitable for operation in very hard working conditions (excavators for surface mines, iron plants, cement works e.t.c.) This pump has two pump elements with variable flow and possibility of independent regulation minimum to maximum value. It is possible to cut out outlet ports, if it is necessary. The pump is factory adjusted to the maximum flow so the dimension "L" is 16mm. By loosening nut "K" and turning the adjusting screw "V" for 360 clock wise ("L" is reduced for 1mm), the flow rate decreases to 0,11 cm<sup>3</sup> per piston stroke. Minimum flow rate corresponds the "L" value of 12 mm. The flow is reduced to zero if the dimension "L" is 9 mm. After adjusting, lock the safety nut "K" again. Pump with lubricant level indication have "AU" in code. Ultrasonic level indicator indicate 3 lubricant level in the tank, depending on customer requirements. For lubrication of gear unit of the pump use oil SAE 80. The oil level must be equal to down edge of filling port "A".

Ordering example for the pump with ultrasonic indicator of lubricant level for flow 27 cm<sup>3</sup>/min is:

## 10-2570L-1 -AU



### SYMBOL



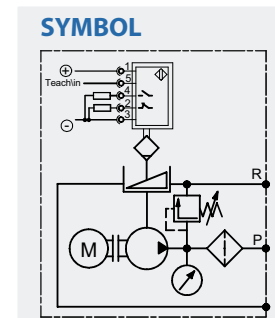
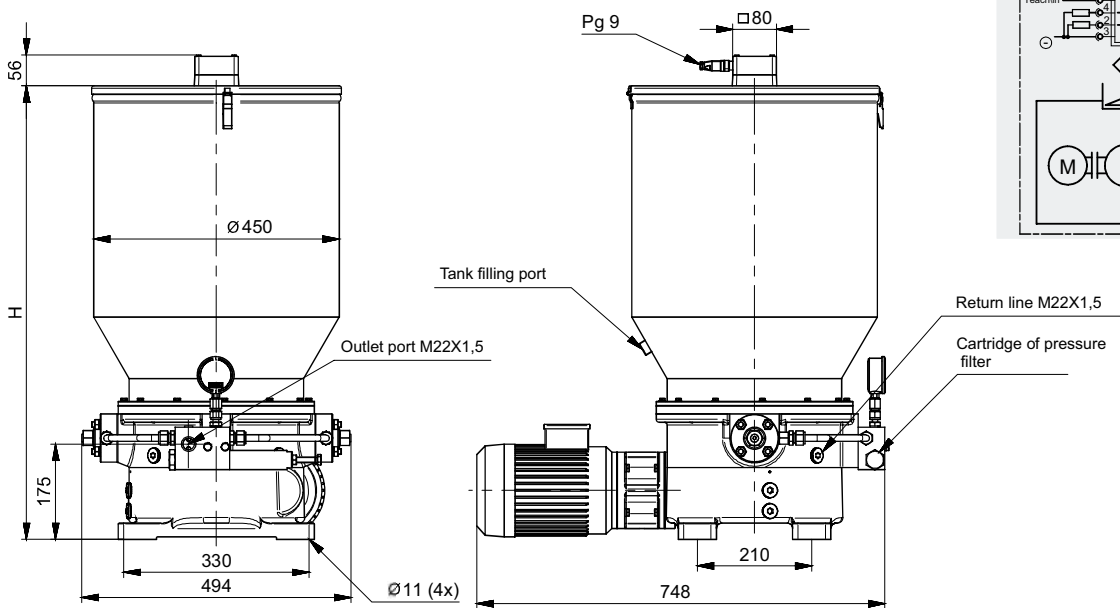
Code	Flow (adjustable) cm <sup>3</sup> /min	Max. pressure bar	Fluid			Gear box ratio	Electric motor			Ultrasonic level indicator AU	Tank volume dm <sup>3</sup>	Mass kg
			Grease	Oil visc. mm <sup>2</sup> /s	Temp. °C		Power kW	Rated speed rpm	Voltage V			
10 - 2570L-1	10-27	300	≤3	>13	-25 ; +80	70:1	0,37	1460	3x400 V 50Hz	10 to 30V 200 mA 2xPNP NO / NC	30	~36
10 - 2570-1	7-18					112:1	0,25	980				
10 - 2570S-1	4-11											

# ELECTRIC MOTOR PUMP



This electric driven pump is usually applied for oil and grease lubrication in two-line centralized systems. It is suitable for operation in very hard working conditions (excavators for surface mine exploitation, iron plants, cement works). In tank should be posed level indicator, in this case type of pump must have "AU". Ultrasonic level indicator measures three levels of lubricant in the tank, and range be selected based on customer request. Tank can be 40, 50, 60, 80 and 100 dm<sup>3</sup>. The tank is filled through the port "D" using the charging pump (with jointing cone 24° DIN 3901/3902 M26x1,5).

This is recommended to avoid particles and air in lubricant. This piston pump is available in three variants depends of displacement and working pressure. It is equipped with pressure gauge and pressure relief valve to prevent the overload, and filter fineness 150 µm. For lubrication of gear unit of the pump use oil SAE 80. The oil level must be equal to down edge of filling port "A". For discharging use the port "B". Non-standard tank volume marked with additional designation at the end (40, 60, 100).



Code	Flow cm <sup>3</sup> /min	Max. pressure bar	Fluid			Electric motor			Ultrasonic level indicator AU	Tank volume dm <sup>3</sup>	H	Mass kg
			Grease	Oil visc.	Temp.	Power	Rated speed	Voltage				
			NLGI	mm <sup>2</sup> /s	°C	kW	rpm	V				
10 - 3500	500	250	≤3	>13	-25 ; +80	1,1	1410	3x400/50Hz	10 to 30V 200mA 2xPNP NO/ NC	50	612	82
10 - 3500-1										80	832	87
10 - 3500/1	300	350								50	612	82
10 - 3500/1-1										80	832	87
10 - 3500/2	150	400								50	612	82
10 - 3500/2-1										80	832	87





SERBIA  
36210 VRNJACKA BANJA  
Rudjinci 175/A  
tel/fax: +381-36-631-710  
E-mail: office@fluidotehnic.com  
Web: www.fluidotehnic.com

Matični broj: 06568939  
Šifra delatnosti: 2822  
PIB: 100918689  
Reg. broj: 11506568939  
Br. Reg. Upisa: 1-14429-00



## EC DECLARATION OF CONFORMITY / DECLARATION ON INSTALLATION

DEKLARACIJA O USAGLAŠENOSTI / DEKLARACIJA O UGRADNJI

### We hereby declare that the following products

Izjavljujemo da su sledeći uređaji

**Electric driven pumps for grase lubrication** (Elektromotorne pumpe za podmazivanje mastima)  
**Power unit for oil lubrication** (Elektromotorni uređaj za podmazivanje uljima)  
**Pneumatic pumps for lubrication** (Pneumatske pumpe za podmazivanje mastima)  
**Two line dosing distributors** (Dvolinijski dozatori)  
**Progressive doser distributors** (Progresivni dozatori)  
**Change-over valves** (Hidraulički razvodnici)  
**Electric driven change-over valves** (Elektromotorni razvodnici)  
**Pressure and flow valves** (Ventili pritiska i protoka)

### Are designed and produced in accordance with the safety requirements according to the following regulations:

Projektovani i proizvedeni u skladu sa bezbednosnim zahtevima prema sledećim propisima:

**Machinery Directive EC/2006/42**  
(Mašinska direktiva EC/2006/42)

**Low voltage directive EC/2014/35**  
(Niskonaponska direktiva EC/2014/35)

**in accordance with the following standards:**

i u skladu sa sledećim standardima:

**Safety of machinery - General principles for design**

- **Risk assessment and risk reduction EN ISO 12100:2010**

Bezbednost mašina - Opšti principi za projektovanje

- Ocena rizika i smanjenje rizika SRPS ISO 12100:2014

**Safety of machinery - Electrical equipment of machines - Part 1: EN 60204-1:2016**

Bezbednost mašina - Električna oprema mašina - Deo 1: EN 60204-1:2016

### Declaration on installation in the sense of EC Machinery Directive (2006/42/EC) Annex II B

Izjava o ugradnji u skladu sa EC Mašinskom direktivom (2006/42/EC) Anex II B

**Product of "FLUIDOTEHNIC" assemble into mechanical devices and equipment. Start-up is not admissible unless it has been verified that the whole equipment, meets the requirements defined in the EC machinery Directive (2006/42/EC)**

Proizvod "FLUIDOTEHNIC"-a se ugrađuje u drugu opremu i dodatne uređaje. Pokretanje nije dozvoljeno sve dok i relevantna oprema u koju se ugrađuju ne bude u skladu sa Mašinskom direktivom (2006/42/EC)

**The manufacturer undertakes to supply the relevant information of incomplete machine on request to responsible inspector by electronic way. Technical documents of the machine is prepared in accordance with Annex VII, part B Machinery Directive (2006/42/EC)**

Proizvođač se obavezuje da će elektronskim putem dostaviti odgovarajuće podatke o delimično završenoj mašini nadležnom inspektor u njegov zahtev. Tehnička dokumentacija je izrađena u skladu sa Anexom 7, deo B Mašinske direktive.

Vrnjačka Banja, 01/02/2017 godine



Šljivić Miroslav, General Manager

The EC Declaration of Conformity is only valid in conjunction with confirmation that the device has been correctly applied, installed, inspected and maintained according to the operating instructions provided. The validity of the declaration will cease in case of any modification and/or supplement not previously approved by "FLUIDOTEHNIC".

Ova deklaracija o usaglašenosti važi samo u slučaju da je uređaj pravilno ugrađen, iskontrolisan i da se koristi i održava u skladu sa uputstvom za rukovanje i održavanje. Važenje izjave prestaje u slučaju bilo kakve modifikacije ili dodatka koji nisu prethodno odobreni od "FLUIDOTEHNIC"-a.



Fluidotehnic d.o.o.

Serbia

36210 Vrnjacka Banja

Rudjinci 175/A

Tel: +381-(0)36-631-710

+381-(0)36-631-711

Fax: +381-(0)36-631-712

[www.fluidotehnic.com](http://www.fluidotehnic.com)

[office@fluidotehnic.com](mailto:office@fluidotehnic.com)

© Fluidotehnic doo

02/2018